

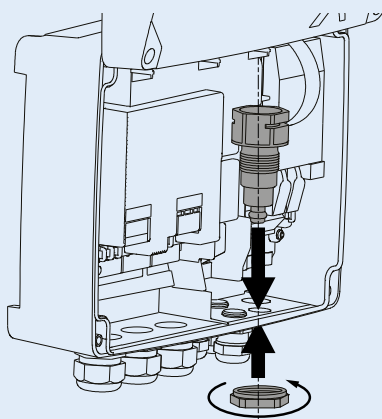
LC231, LC241 in Lifting Stations



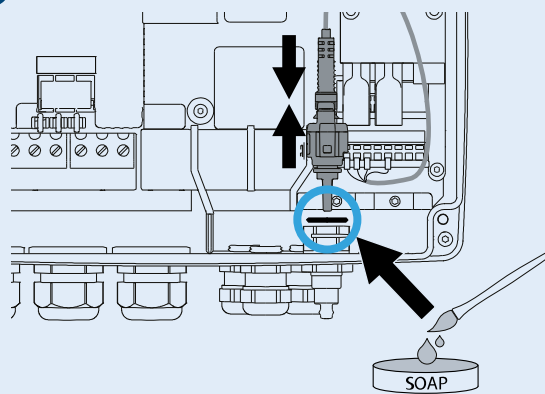
<http://net.grundfos.com/qr/i/99480674>



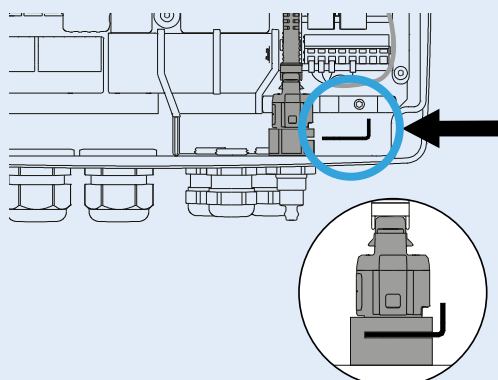
1



2



3



4

Sensor wiring and specification:
Electrical signal 0.5 - 3.5 Volt (0-0,1 Bar / 0-1,02m)

LC231 terminal	CI01	GND	CI02	GND	24V
LC241 terminal	ADI	GND	Not used	GND	24V
Sensor cable				-	

Standard Settings LC231/LC241 MULTILIFT with Ø75 sensor tube

Product	Min [m]	Max [m]	Stop [m]	Start P1 [m] (minimum)	Start P2 [m] (=P1 + 0,05m)	High level alarm [m] (= P2 + 0,05m)	Stop delay [s]	Signal detec- tion time [s]
Multilift MSS	0,13	1,15	0,16	0,17	-	0,22	1	1
Multilift M	0,13	1,15	0,16	0,17	-	0,22	3	1
Multilift MD	0,13	1,15	0,16	0,17	0,22	0,27	5	1
Multilift MLD	0,11	1,13	0,14	0,44	0,49	0,54	7	1
Multilift MOG	0,13	1,15	0,16	0,17	-	0,22	10	1
Multilift MDG	0,13	1,15	0,16	0,17	0,22	0,27	10	1
Multilift MD1/MDV	0,28	1,30	0,31	0,57	0,62	0,67	8	1

Standard Settings LC231/LC241 MULTILIFT with Ø110 sensor tube

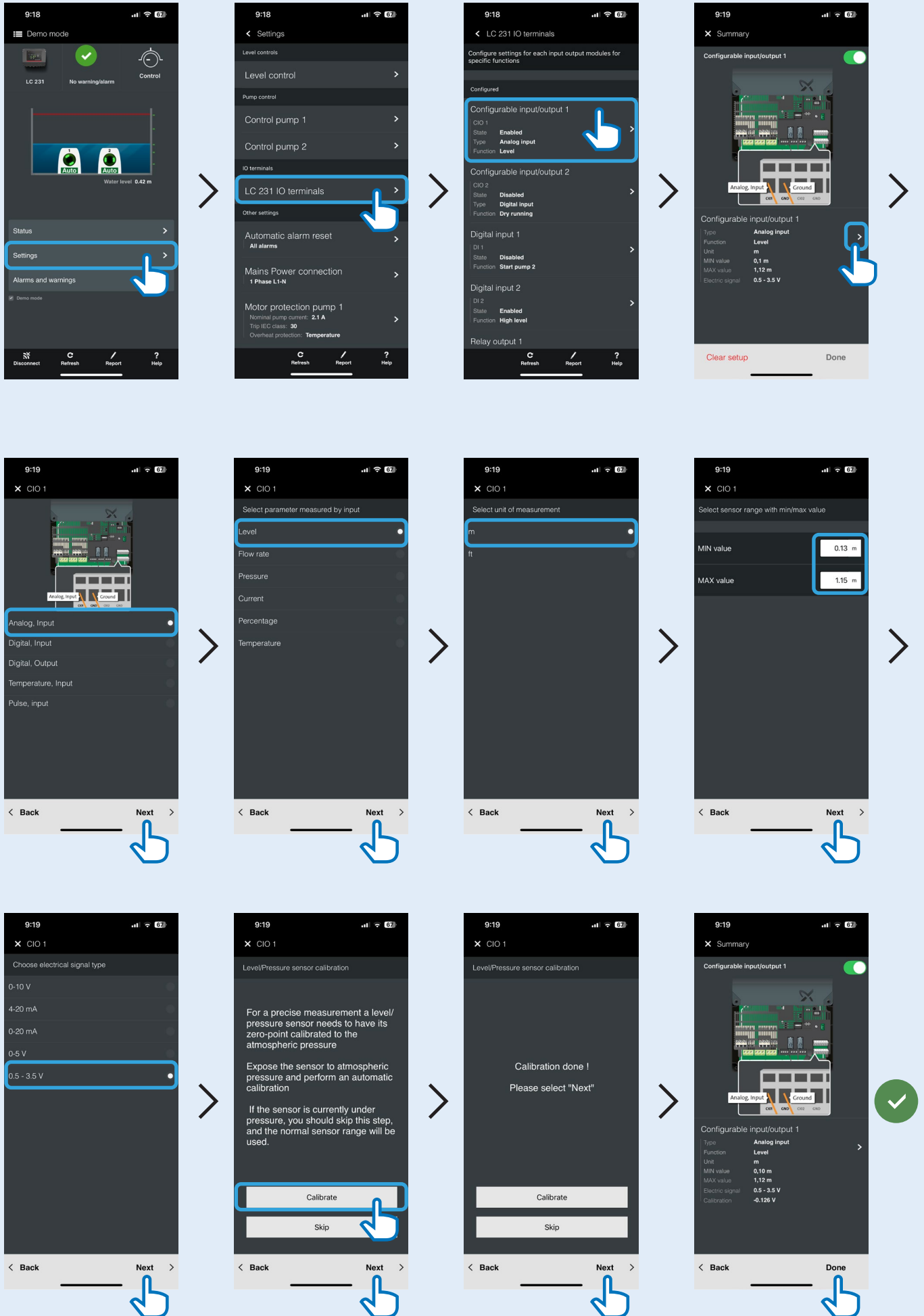
Product	Min [m]	Max [m]	Stop [m]	Start P1 [m] (minimum)	Start P2 [m] (=P1 + 0,05m)	High level alarm [m] (= P2 + 0,05m)	Stop delay [s]	Signal detec- tion time [s]
Multilift MSS	0,07	1,09	0,16	0,17	-	0,22	1	1
Multilift M	0,09	1,11	0,16	0,17	-	0,22	3	1
Multilift MD	0,09	1,11	0,16	0,17	0,22	0,27	5	1
Multilift MLD	0,10	1,12	0,14	0,44	0,49	0,54	7	1
Multilift MOG	0,11	1,13	0,16	0,17	-	0,22	10	1
Multilift MDG	0,11	1,13	0,16	0,17	0,22	0,27	10	1
Multilift MD1/MDV	0,28	1,30	0,31	0,57	0,62	0,67	8	1

Standard Settings LC231/LC241 UNOLIFT/DUOLIFT/LIFTAWAY B

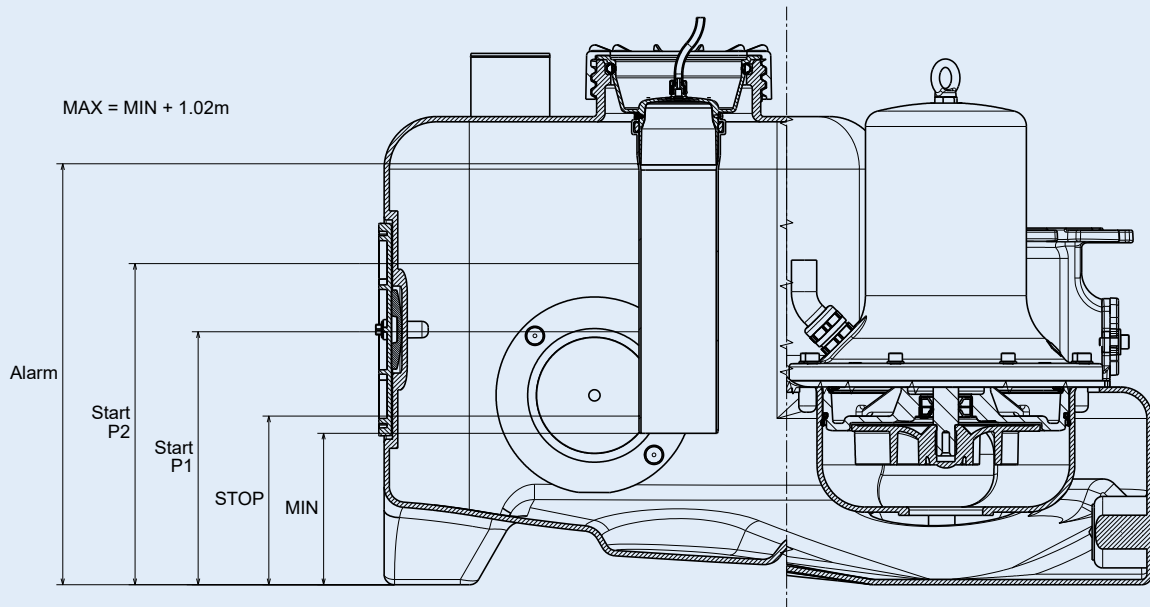
Product	Min [m]	Max [m]	Stop [m]	Start P1 [m] (minimum)	Start P2 [m] (=P1 + 0,05m)	High level alarm [m] (= P2 + 0,05m)	Stop delay [s]	Signal detec- tion time [s]
UNOLIFT/ DUOLIFT 270 SEG	0,14	1,16	0,16	0,17	0,22	0,27	18	1
UNOLIFT/ DUOLIFT 540 SEG	0,14	1,16	0,16	0,17	0,22	0,27	36	1
UNOLIFT/ DUOLIFT 270 APB	0,14	1,16	0,16	0,17	0,22	0,27	6	1
UNOLIFT/ DUOLIFT 540 APB	0,14	1,16	0,16	0,17	0,22	0,27	12	1
UNOLIFT/ DUOLIFT 270 KP/CC	0,14	1,16	0,16	0,17	0,22	0,27	18	1
UNOLIFT/ DUOLIFT 540 KP/CC	0,14	1,16	0,16	0,17	0,22	0,27	35	1
LIFTAWAY B	0,25	1,27	0,28	0,34	0,36	0,38	60	1

Sensor setup and calibration

Note: Before setting the sensor, make sure that the latest firmware update is installed on LC 231/LC 241.



Sensor type:	Analog sensors	Level sensor:	LC231 IO terminals CIO 1 LC241 IO terminals ADI
Application type:	Empty	IO settings:	
High level:	see table (page 2)	State:	Enabled
Start level P2:	see table (page 2)	Type:	Analog input
Start level P1:	see table (page 2)	Function:	Level
Stop level:	see table (page 2)	Unit:	meter [m]
Dry-running level:	disable	MIN value:	i.e. 0.14 m (see table page 2)
After-run delay, high level:	see table (page 2)	MAX value:	i.e. 1.16 m (= MIN value + 1.02m)
Stop delay:	see table (page 2)	Electric signal:	0.5 – 3.5 V
Signal detection time:	1 s		



92949167

ECM: 1429210 | 07.2025

Grundfos Holding A/S
Poul Due Jensens Vej 7
DK-8850 Bjerringbro
Tel: +45 87 50 14 00
www.grundfos.com

